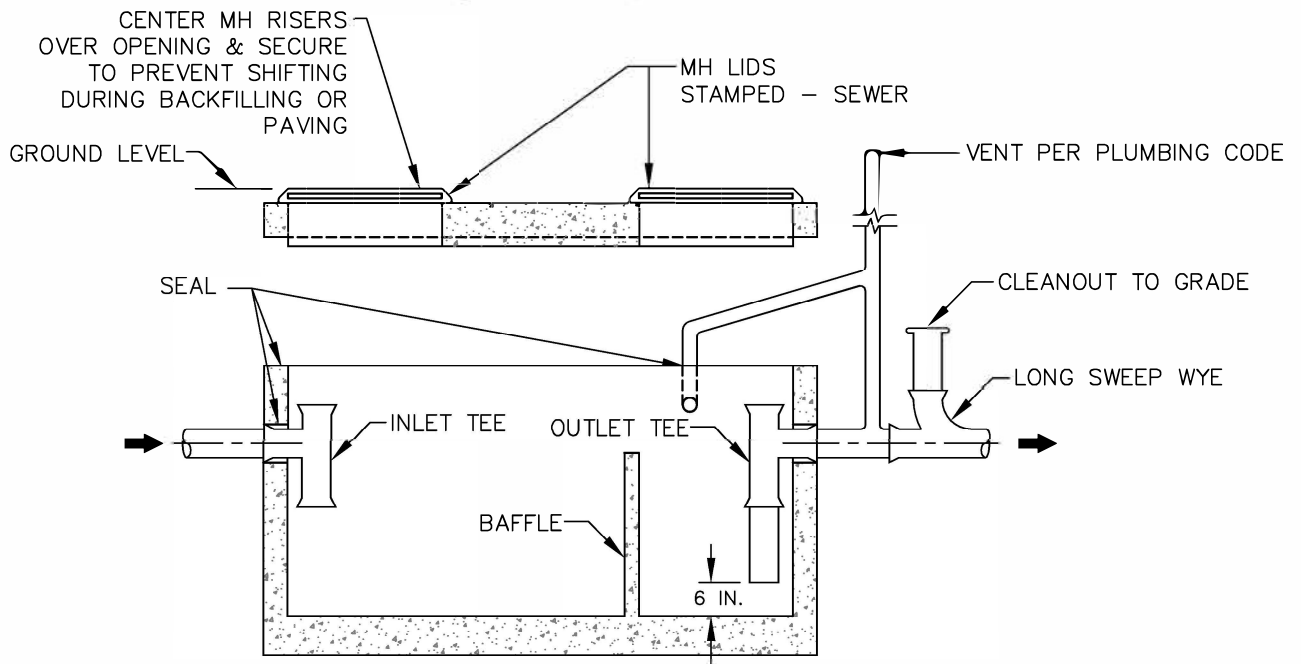


PLAN VIEW



SECTION VIEW

NOTES:

1. TRAFFIC RATED INTERCEPTOR IS REQUIRED IN TRAFFIC AREAS.
2. ACTUAL CONFIGURATION OF INTERCEPTOR MAY VARY BETWEEN MANUFACTURERS.
3. DESIGNER SHOULD CHECK WITH SUPPLIER FOR EXACT DIMENSIONS.

TYPICAL SAND & OIL INTERCEPTOR



CITY OF LOVELAND
UTILITIES
DEPARTMENT

W/WW CONSTRUCTION
DRAWINGS

DATE APPROVED: 2024
DATE REVISED:
2024 EDITION

DRAWING
WW-9